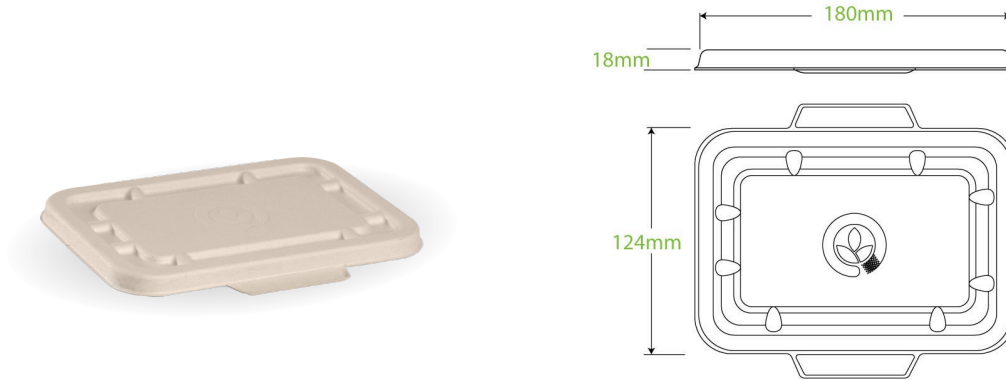


500ml & 600ml Natural BioCane Takeaway Base Lid B-LBL-N-SMALL



Carton quantity: 500	Sleeves per carton: 4	Units per sleeve: 125
Carton Size LxWxH (cm): 51.0 x 34.5 x 39.0	Carton gross weight (kg): 7.300000	Carton barcode: 19344062033971
Raw material: Bagasse - Natural (80% sugarcane pulp & 20% bamboo pulp)	Lining/coating: None	Window material: None
Printing Type: None	Inks: None	Dimensions top LxW (mm): 180x124
Dimensions base LxW (mm): 180x124	Product Depth: 18.0	Product weight (g): 12.5
Thickness: 0.6mm	Use: Hot, Cold, Wet & Dry Products	Manufactured: China
Customise: Emboss	MOQ custom: 100000	Mould fees: Yes - see custom packaging
Environmental production certified: ISO 14001	Quality product certified: ISO 9001	Factory food safety certified: BRC, HACCP
Corporate social accreditation: SA 8000, BSCI	Home compostable: Certified to AS5810 Australian standards, Certified to NF T51-800 European standards, TBC	Industrially compostable: Certified to AS4376 Australian Standards, Certified to EN13432 European Standard
Recyclable: Yes - In The Paper Recycling if Not Contaminated With Food		